



Yuasa Technical Data Sheet

Yuasa YTX9-BS - Maintenance Free Battery

Performance

| | |
|--------------------|-------|
| Voltage | 12V |
| Capacity (10-hour) | 8Ah |
| Capacity (20-hour) | 8.4Ah |
| CCA @ -18°C | 135A |

Dimensions (±2mm)

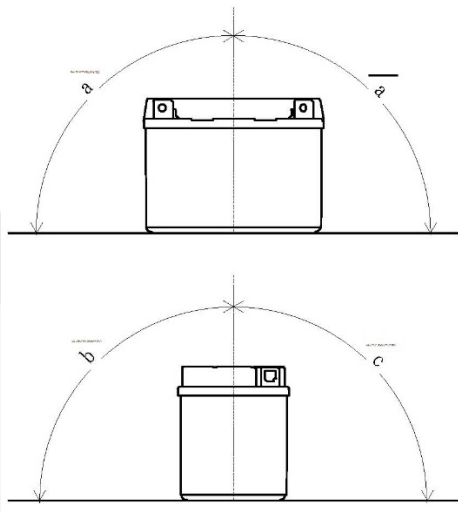
| | |
|--------|-------|
| Length | 152mm |
| Width | 87mm |
| Height | 107mm |

Weights & Measures

| | |
|-----------------------|-------|
| Mean Weight with Acid | 3.1kg |
| Acid Volume | 0.4l |

Mounting Angle

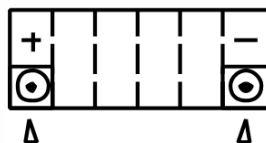
| | |
|---------|-----|
| Angle A | 30° |
| Angle B | 20° |
| Angle C | 20° |



Technology

Separator AGM

Cell Assembly Layout



Terminal Type - 5



Data Sheet generated on 12/12/2016 - E&OE