



Yuasa Technical Data Sheet

Yuasa Y60-N24L-A - YuMicron Battery

Performance

Voltage	12V
Capacity (10-hour)	28Ah
Capacity (20-hour)	29.5Ah
CCA @ -18°C	241A

Dimensions (±2mm)

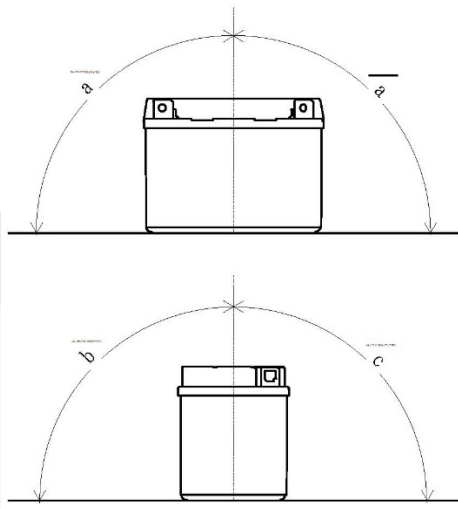
Length	184mm
Width	124mm
Height	175mm

Weights & Measures

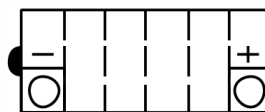
Mean Weight with Acid	8.6kg
Acid Volume	1.7l



For Illustration Purposes Only



Cell Assembly Layout



Terminal Type - 3



Data Sheet generated on 12/12/2016 - E&OE