



## Yuasa Technical Data Sheet

### Yuasa SY50-N18L-AT - YuMicron Battery

#### Performance

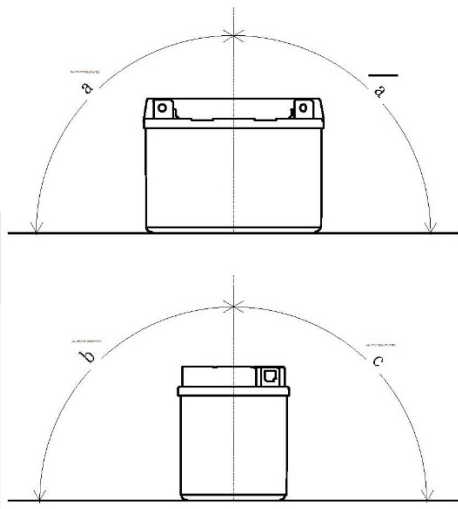
Voltage	12V
Capacity (10-hour)	20Ah
Capacity (20-hour)	21.1Ah
CCA @ -18°C	240A

#### Dimensions (±2mm)

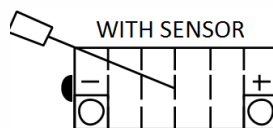
Length	205mm
Width	90mm
Height	162mm

#### Weights & Measures

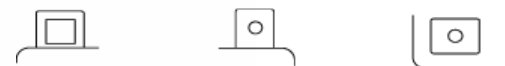
Mean Weight with Acid	6.5kg
Acid Volume	1.4l



#### Cell Assembly Layout



#### Terminal Type - 7



Data Sheet generated on 12/12/2016 - E&OE