



## Yuasa Technical Data Sheet

### Yuasa YB16L-B - YuMicron Battery

#### Performance

Voltage	12V
Capacity (10-hour)	19Ah
Capacity (20-hour)	20Ah
CCA @ -18°C	215A

#### Dimensions (±2mm)

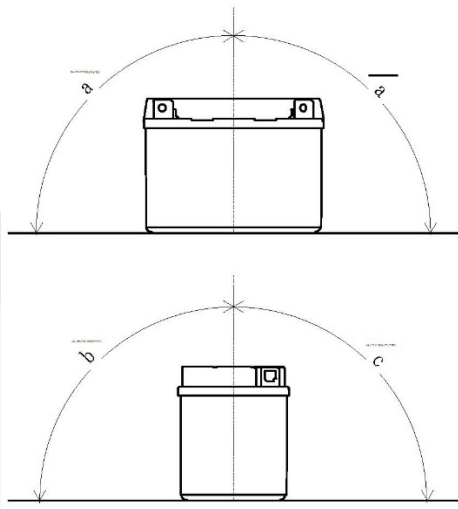
Length	175mm
Width	100mm
Height	155mm

#### Weights & Measures

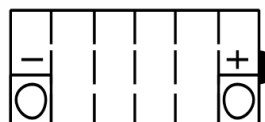
Mean Weight with Acid	6.3kg
Acid Volume	1.2l

#### Mounting Angle

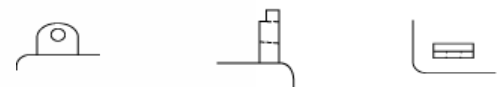
Angle A	Vertical only
Angle B	Vertical only
Angle C	Vertical only



#### Cell Assembly Layout



#### Terminal Type - 6



Data Sheet generated on 12/12/2016 - E&OE