



Yuasa Technical Data Sheet

Yuasa YB18L-A - YuMicron Battery

Performance

Voltage	12V
Capacity (10-hour)	18Ah
Capacity (20-hour)	18.9Ah
CCA @ -18°C	215A

Dimensions ($\pm 2\text{mm}$)

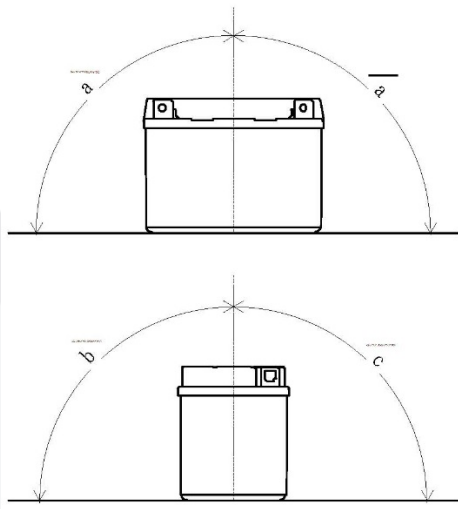
Length	180mm
Width	90mm
Height	162mm

Weights & Measures

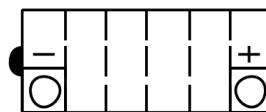
Mean Weight with Acid	5.8kg
Acid Volume	1.2l

Mounting Angle

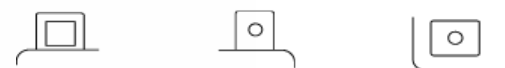
Angle A	Vertical only
Angle B	Vertical only
Angle C	Vertical only



Cell Assembly Layout



Terminal Type - 7



Data Sheet generated on 12/12/2016 - E&OE