



Yuasa Technical Data Sheet

Yuasa HYB16A-AB - YuMicron Battery

Performance

Voltage	12V
Capacity (10-hour)	16Ah
Capacity (20-hour)	16.8Ah
CCA @ -18°C	190A

Dimensions (±2mm)

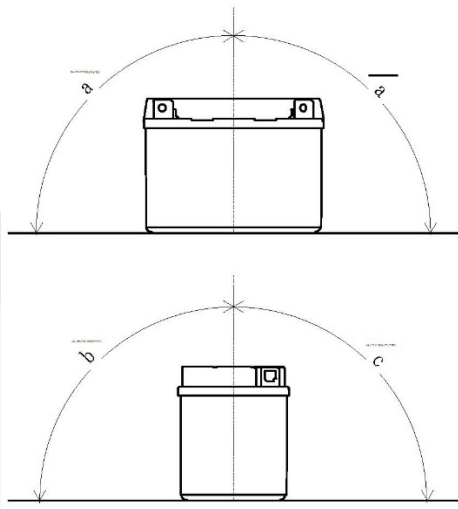
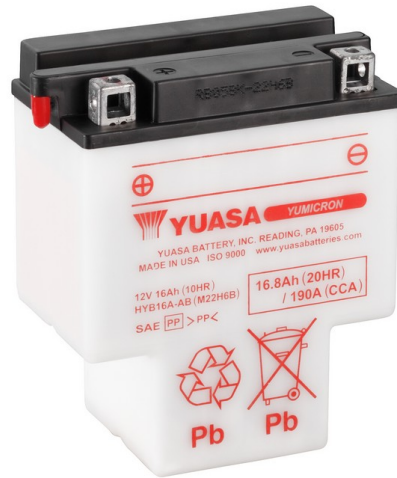
Length	151mm
Width	91mm
Height	180mm

Weights & Measures

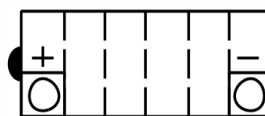
Mean Weight with Acid	5kg
Acid Volume	0.9l

Mounting Angle

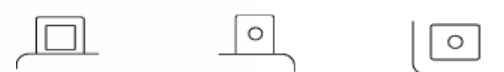
Angle A	Vertical only
Angle B	Vertical only
Angle C	Vertical only



Cell Assembly Layout



Terminal Type - 7



Data Sheet generated on 12/12/2016 - E&OE