



## Yuasa Technical Data Sheet

### Yuasa TTZ12S - Maintenance Free Battery

#### Performance

Voltage	12V
Capacity (10-hour)	11Ah
Capacity (20-hour)	11.6Ah
CCA @ -18°C	210A

#### Dimensions (±2mm)

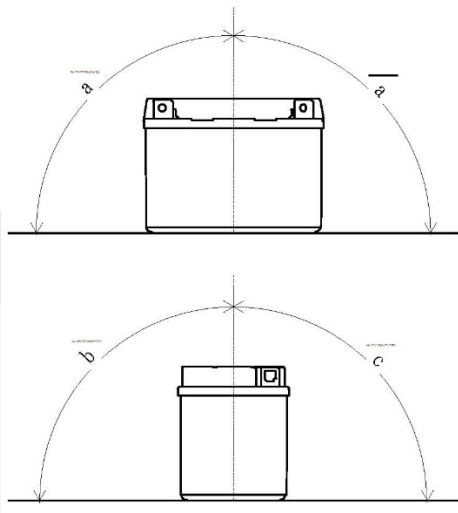
Length	150mm
Width	87mm
Height	110mm

#### Weights & Measures

Mean Weight with Acid	3.9kg
Acid Volume	0.52l

#### Mounting Angle

Angle A	30°
Angle B	20°
Angle C	20°

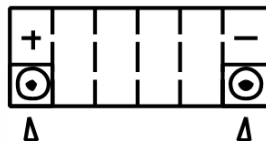


#### Technology

Technology  
Separator

Cast Ca/Ca  
AGM

#### Cell Assembly Layout



Data Sheet generated on 12/12/2016 - E&OE