



Yuasa Technical Data Sheet

Yuasa YB16B-A1 - YuMicron Battery

Performance

Voltage	12V
Capacity (10-hour)	16Ah
Capacity (20-hour)	16.8Ah
CCA @ -18°C	207A

Dimensions (±2mm)

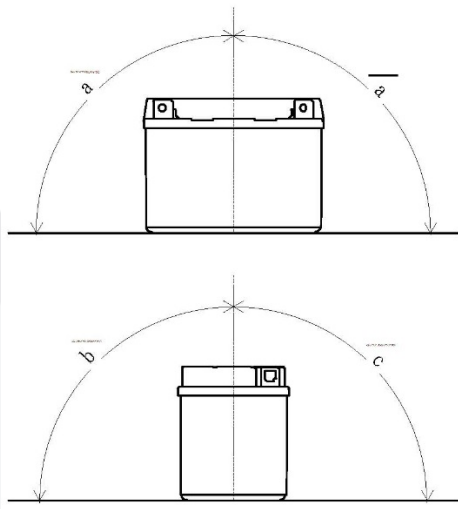
Length	160mm
Width	90mm
Height	161mm

Weights & Measures

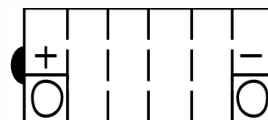
Mean Weight with Acid	5.1kg
Acid Volume	1l

Mounting Angle

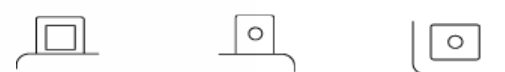
Angle A	Vertical only
Angle B	Vertical only
Angle C	Vertical only



Cell Assembly Layout



Terminal Type - 7



Data Sheet generated on 12/12/2016 - E&OE