



Yuasa Technical Data Sheet

Yuasa YB14-B2 - YuMicron Battery

Performance

Voltage	12V
Capacity (10-hour)	14Ah
Capacity (20-hour)	14.7Ah
CCA @ -18°C	175A

Dimensions (±2mm)

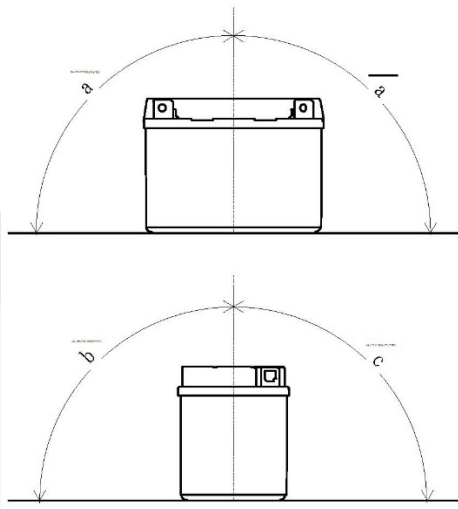
Length	134mm
Width	89mm
Height	166mm

Weights & Measures

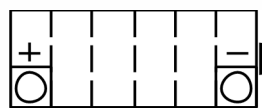
Mean Weight with Acid	4.6kg
Acid Volume	0.9l

Mounting Angle

Angle A	Vertical only
Angle B	Vertical only
Angle C	Vertical only



Cell Assembly Layout



Terminal Type - 8



Data Sheet generated on 12/12/2016 - E&OE