



Yuasa Technical Data Sheet

Yuasa GYZ20L - High Performance Maintenance Free Battery

Performance

Voltage	12V
Capacity (10-hour)	20Ah
Capacity (20-hour)	21.1Ah
CCA @ -18°C	250A

Dimensions (±2mm)

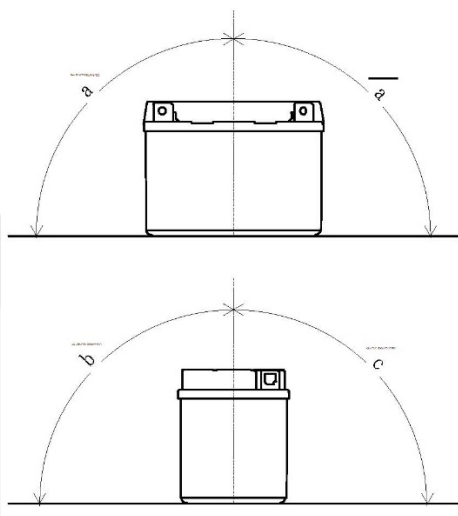
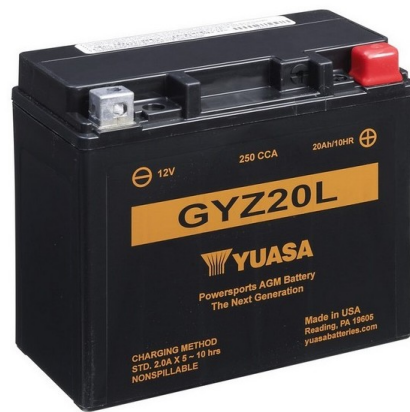
Length	175mm
Width	87mm
Height	155mm

Weights & Measures

Mean Weight with Acid	6.9kg
-----------------------	-------

Mounting Angle

Angle A	40°
Angle B	90°
Angle C	15°



Technology

Separator AGM

Cell Assembly Layout



Terminal Type - 4



Data Sheet generated on 12/12/2016 - E&OE