



Yuasa Technical Data Sheet

Yuasa YB30CL-B - YuMicron Battery

Performance

| | |
|--------------------|--------|
| Voltage | 12V |
| Capacity (10-hour) | 30Ah |
| Capacity (20-hour) | 31.6Ah |
| CCA @ -18°C | 300A |

Dimensions (±2mm)

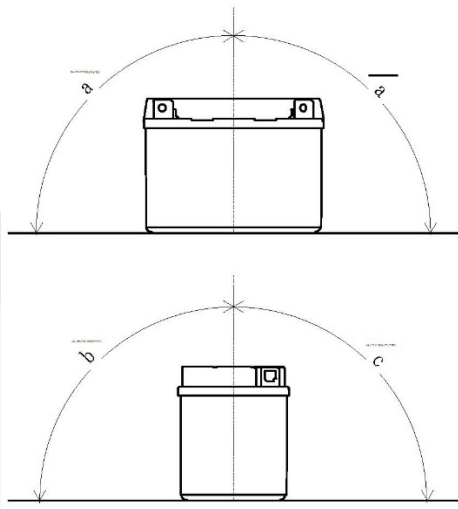
| | |
|--------|-------|
| Length | 168mm |
| Width | 132mm |
| Height | 192mm |

Weights & Measures

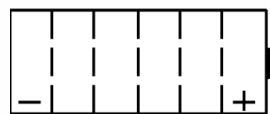
| | |
|-----------------------|-------|
| Mean Weight with Acid | 8.8kg |
| Acid Volume | 1.7l |

Mounting Angle

| | |
|---------|---------------|
| Angle A | Vertical only |
| Angle B | Vertical only |
| Angle C | Vertical only |



Cell Assembly Layout



Terminal Type - 4



Data Sheet generated on 12/12/2016 - E&OE