



## Yuasa Technical Data Sheet

### Yuasa YB10L-B2 - YuMicron Battery

#### Performance

Voltage	12V
Capacity (10-hour)	11Ah
Capacity (20-hour)	11.6Ah
CCA @ -18°C	120A

#### Dimensions (±2mm)

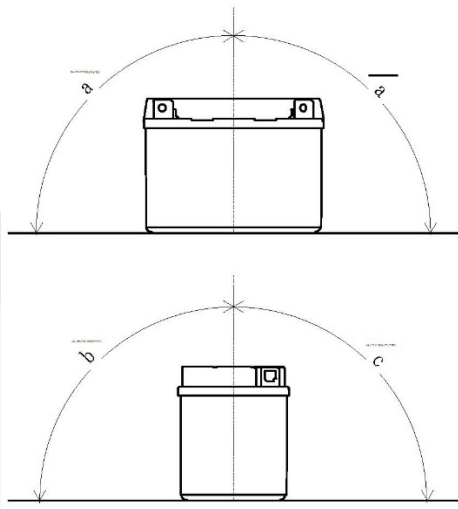
Length	135mm
Width	90mm
Height	145mm

#### Weights & Measures

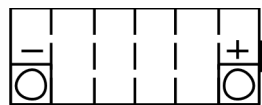
Mean Weight with Acid	4kg
Acid Volume	0.8l

#### Mounting Angle

Angle A	Vertical only
Angle B	Vertical only
Angle C	Vertical only



#### Cell Assembly Layout



#### Terminal Type - 8



Data Sheet generated on 12/12/2016 - E&OE