



Yuasa Technical Data Sheet

Yuasa YB7L-B - YuMicron Battery

Performance

Voltage	12V
Capacity (10-hour)	8Ah
Capacity (20-hour)	8.4Ah
CCA @ -18°C	75A

Dimensions (±2mm)

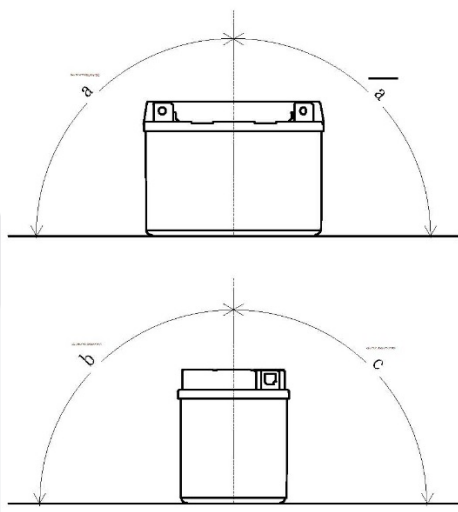
Length	135mm
Width	75mm
Height	133mm

Weights & Measures

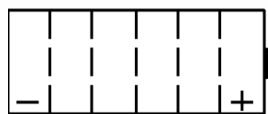
Mean Weight with Acid	2.9kg
Acid Volume	0.6l

Mounting Angle

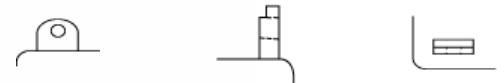
Angle A	Vertical only
Angle B	Vertical only
Angle C	Vertical only



Cell Assembly Layout



Terminal Type - 6



Data Sheet generated on 12/12/2016 - E&OE