



Yuasa Technical Data Sheet

Yuasa YB7C-A - YuMicron Battery

Performance

Voltage	12V
Capacity (10-hour)	7Ah
Capacity (20-hour)	7.4Ah
CCA @ -18°C	75A

Dimensions (±2mm)

Length	130mm
Width	90mm
Height	114mm

Weights & Measures

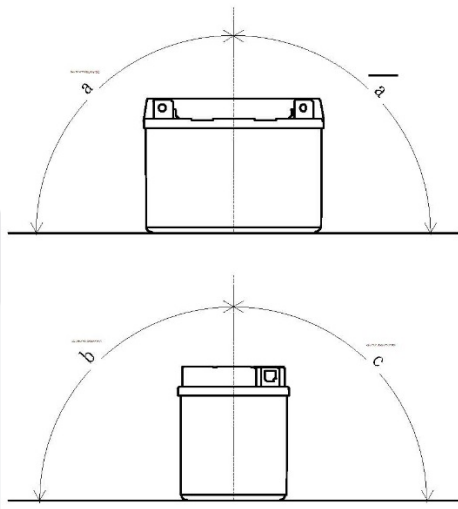
Mean Weight with Acid	3kg
Acid Volume	0.6l

Mounting Angle

Angle A	Vertical only
Angle B	Vertical only
Angle C	Vertical only



For Illustration Purposes Only



Cell Assembly Layout



Terminal Type - 3



Data Sheet generated on 12/12/2016 - E&OE