



## Yuasa Technical Data Sheet

### Yuasa YTX14AH-BS - High Performance Maintenance Free Battery

#### Performance

Voltage	12V
Capacity (10-hour)	12Ah
Capacity (20-hour)	12.6Ah
CCA @ -18°C	210A

#### Dimensions (±2mm)

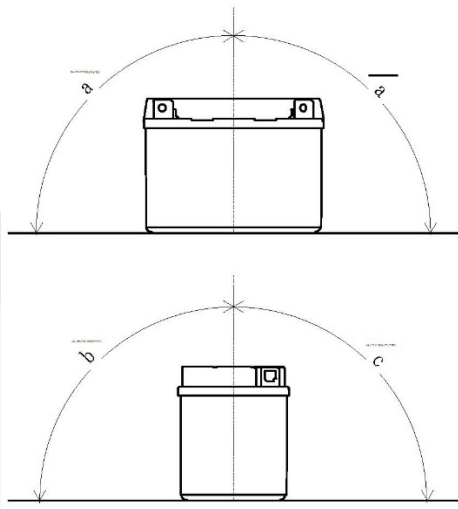
Length	134mm
Width	89mm
Height	166mm

#### Weights & Measures

Mean Weight with Acid	4.9kg
Acid Volume	0.66l

#### Mounting Angle

Angle A	30°
Angle B	20°
Angle C	20°



#### Technology

Separator AGM

#### Cell Assembly Layout



#### Terminal Type - 4



Data Sheet generated on 12/12/2016 - E&OE