



Yuasa Technical Data Sheet

Yuasa YB5L-B - YuMicron Battery

Performance

Voltage	12V
Capacity (10-hour)	5Ah
Capacity (20-hour)	5.3Ah
CCA @ -18°C	60A

Dimensions (±2mm)

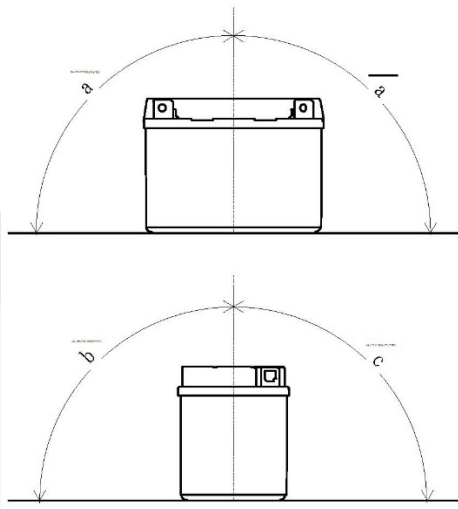
Length	121mm
Width	61mm
Height	131mm

Weights & Measures

Mean Weight with Acid	2kg
Acid Volume	0.36l

Mounting Angle

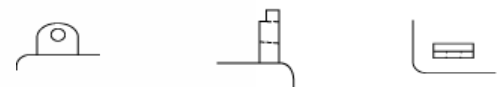
Angle A	Vertical only
Angle B	Vertical only
Angle C	Vertical only



Cell Assembly Layout



Terminal Type - 6



Data Sheet generated on 12/12/2016 - E&OE