



Yuasa Technical Data Sheet

Yuasa YB4L-B - YuMicron Battery

Performance

| | |
|--------------------|-------|
| Voltage | 12V |
| Capacity (10-hour) | 4Ah |
| Capacity (20-hour) | 4.2Ah |
| CCA @ -18°C | 45A |

Dimensions (±2mm)

| | |
|--------|-------|
| Length | 121mm |
| Width | 71mm |
| Height | 93mm |

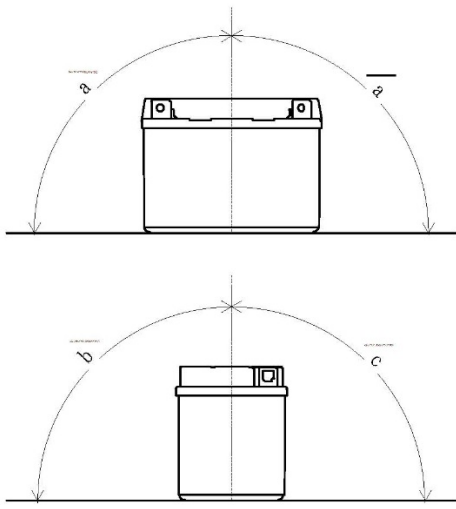
Weights & Measures

| | |
|-----------------------|-------|
| Mean Weight with Acid | 1.5kg |
| Acid Volume | 0.3l |



Mounting Angle

| | |
|---------|---------------|
| Angle A | Vertical only |
| Angle B | Vertical only |
| Angle C | Vertical only |



Cell Assembly Layout



Terminal Type - 5



Data Sheet generated on 12/12/2016 - E&OE