



Yuasa Technical Data Sheet

Yuasa YTZ5S - High Performance Maintenance Free Battery

Performance

Voltage	12V
Capacity (10-hour)	3.5Ah
Capacity (20-hour)	3.7Ah
CCA @ -18°C	65A

Dimensions (±2mm)

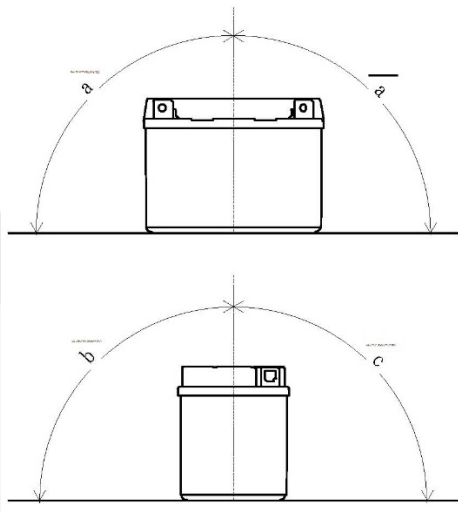
Length	115mm
Width	72mm
Height	86mm

Weights & Measures

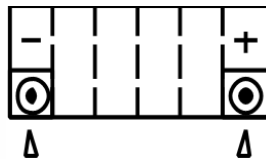
Mean Weight with Acid	1.6kg
Acid Volume	0.19l

Technology

Technology	Exp Ca/Ca
Separator	AGM



Cell Assembly Layout



Terminal Type - 5



Data Sheet generated on 12/12/2016 - E&OE