



## Yuasa Technical Data Sheet

### Yuasa 12N12-3B - Conventional 12 Volt Battery

#### Performance

Voltage	12V
Capacity (10-hour)	12Ah
Capacity (20-hour)	12.6Ah
CCA @ -18°C	108A

#### Dimensions (±2mm)

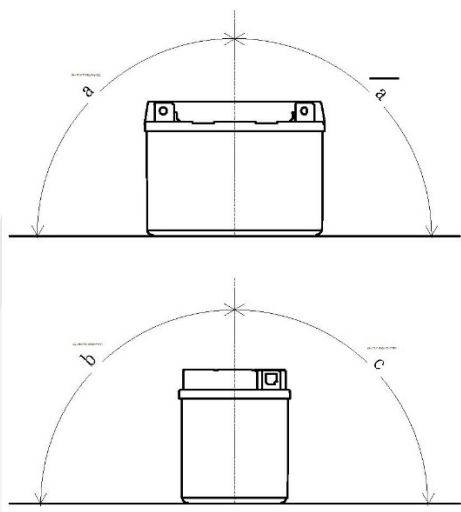
Length	202mm
Width	76mm
Height	134mm

#### Weights & Measures

Mean Weight with Acid	4.4kg
Acid Volume	0.8l

#### Mounting Angle

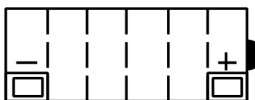
Angle A	Vertical only
Angle B	Vertical only
Angle C	Vertical only



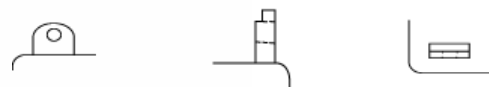
#### Technology

Technology Cast Sb/Ca

#### Cell Assembly Layout



#### Terminal Type - 6



Data Sheet generated on 12/12/2016 - E&OE