



## Yuasa Technical Data Sheet

### Yuasa YB9L-B - YuMicron Battery

#### Performance

Voltage	12V
Capacity (10-hour)	9Ah
Capacity (20-hour)	9.5Ah
CCA @ -18°C	115A

#### Dimensions (±2mm)

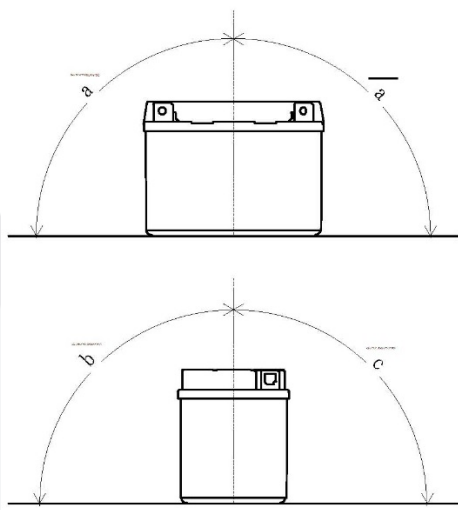
Length	137mm
Width	77mm
Height	141mm

#### Weights & Measures

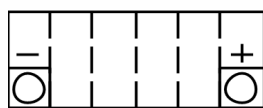
Mean Weight with Acid	3.1kg
Acid Volume	0.6l

#### Mounting Angle

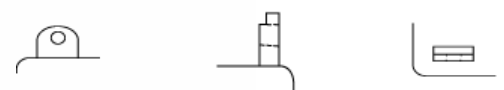
Angle A	Vertical only
Angle B	Vertical only
Angle C	Vertical only



#### Cell Assembly Layout



#### Terminal Type - 6



Data Sheet generated on 12/12/2016 - E&OE