



## Yuasa Technical Data Sheet

### Yuasa YB7-A - YuMicron Battery

#### Performance

Voltage	12V
Capacity (10-hour)	8Ah
Capacity (20-hour)	8.4Ah
CCA @ -18°C	105A

#### Dimensions (±2mm)

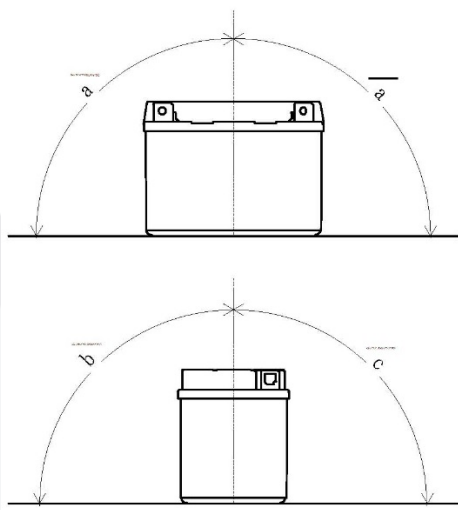
Length	136mm
Width	75mm
Height	133mm

#### Weights & Measures

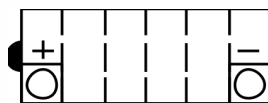
Mean Weight with Acid	3kg
Acid Volume	0.6l

#### Mounting Angle

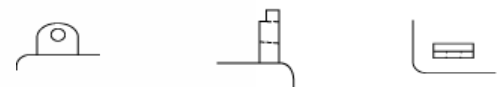
Angle A	Vertical only
Angle B	Vertical only
Angle C	Vertical only



#### Cell Assembly Layout



#### Terminal Type - 6



Data Sheet generated on 12/12/2016 - E&OE