



Yuasa Technical Data Sheet

Yuasa 12N9-3B - Conventional 12 Volt Battery

Performance

Voltage	12V
Capacity (10-hour)	9Ah
Capacity (20-hour)	9.5Ah
CCA @ -18°C	85A

Dimensions (±2mm)

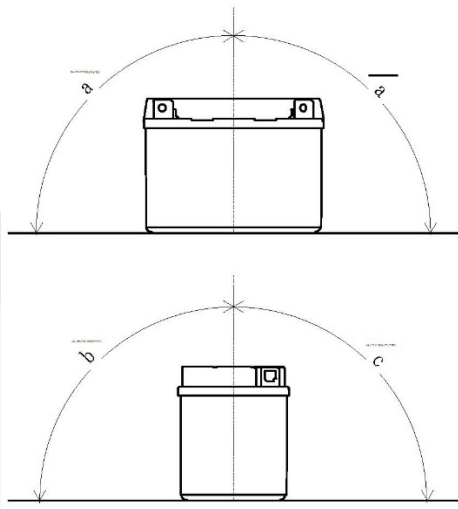
Length	135mm
Width	75mm
Height	139mm

Weights & Measures

Mean Weight with Acid	3.2kg
Acid Volume	0.6l

Mounting Angle

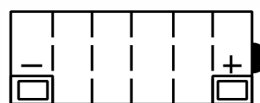
Angle A	Vertical only
Angle B	Vertical only
Angle C	Vertical only



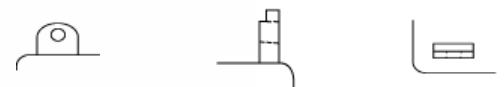
Technology

Technology Cast Sb/Ca

Cell Assembly Layout



Terminal Type - 6



Data Sheet generated on 12/12/2016 - E&OE