



Yuasa Technical Data Sheet

Yuasa YT9B-BS - Maintenance Free Battery

Performance

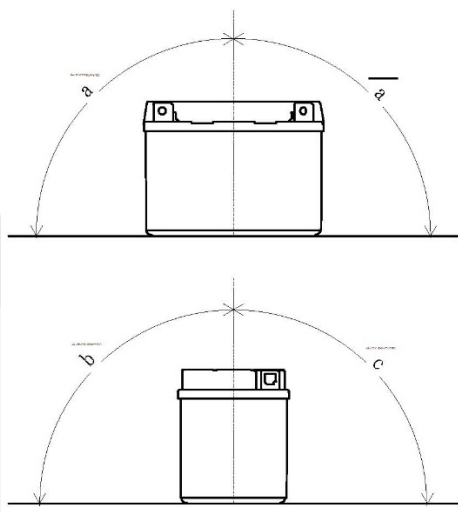
Voltage	12V
Capacity (10-hour)	8Ah
Capacity (20-hour)	8.4Ah
CCA @ -18°C	120A

Dimensions (±2mm)

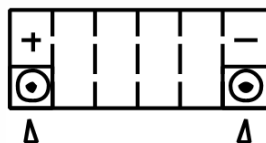
Length	150mm
Width	70mm
Height	105mm

Weights & Measures

Mean Weight with Acid	3kg
Acid Volume	0.4l



Cell Assembly Layout



Terminal Type - 11



Data Sheet generated on 12/12/2016 - E&OE