



Yuasa Technical Data Sheet

Yuasa 12N18-3 - Conventional 12 Volt Battery

Performance

Voltage	12V
Capacity (10-hour)	18Ah
Capacity (20-hour)	18.9Ah
CCA @ -18°C	140A

Dimensions (±2mm)

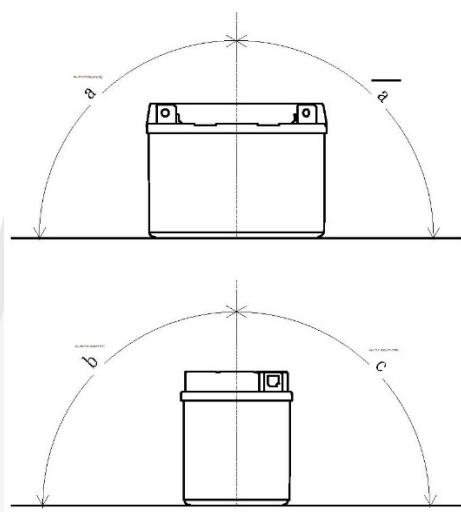
Length	205mm
Width	90mm
Height	162mm

Weights & Measures

Mean Weight with Acid	6.5kg
Acid Volume	1.3l

Mounting Angle

Angle A	Vertical only
Angle B	Vertical only
Angle C	Vertical only

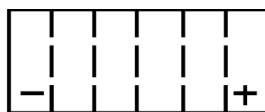


Technology

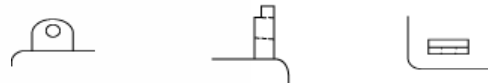
Technology

Cast Sb/Ca

Cell Assembly Layout



Terminal Type - 6



Data Sheet generated on 12/12/2016 - E&OE