



## Yuasa Technical Data Sheet

### Yuasa YTZ14S - High Performance Maintenance Free Battery

#### Performance

Voltage	12V
Capacity (10-hour)	11.2Ah
Capacity (20-hour)	11.8Ah
CCA @ -18°C	230A

#### Dimensions (±2mm)

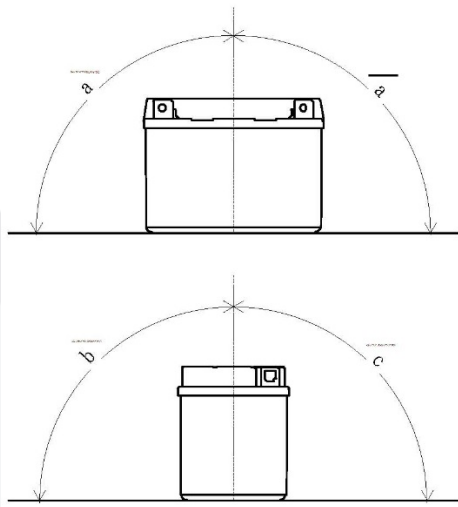
Length	150mm
Width	87mm
Height	110mm

#### Weights & Measures

Mean Weight with Acid	3.9kg
-----------------------	-------

#### Mounting Angle

Angle A	40°
Angle B	90°
Angle C	15°

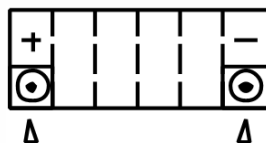


#### Technology

Technology  
Separator

Exp Ca/Ca  
AGM

#### Cell Assembly Layout



#### Terminal Type - 11



Data Sheet generated on 12/12/2016 - E&OE