



Yuasa Technical Data Sheet

Yuasa B49-6 - Conventional 6 Volt Battery

Performance

Voltage	6V
Capacity (10-hour)	8Ah
Capacity (20-hour)	8.4Ah

Dimensions ($\pm 2\text{mm}$)

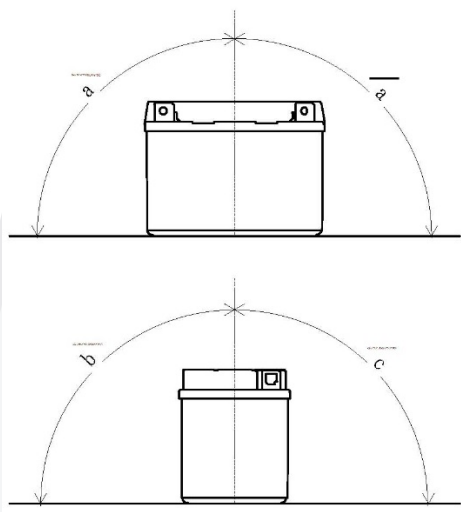
Length	91mm
Width	83mm
Height	161mm

Weights & Measures

Mean Weight with Acid	2.1kg
Acid Volume	0.5l

Mounting Angle

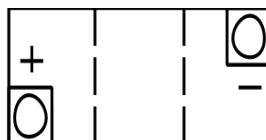
Angle A	Vertical only
Angle B	Vertical only
Angle C	Vertical only



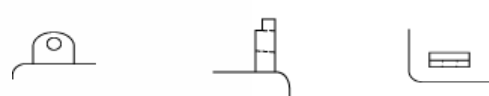
Technology

Technology Cast Sb/Ca

Cell Assembly Layout



Terminal Type - 6



Data Sheet generated on 12/12/2016 - E&OE