



Yuasa Technical Data Sheet

Yuasa B39-6 - Conventional 6 Volt Battery

Performance

Voltage	6V
Capacity (10-hour)	7Ah
Capacity (20-hour)	7.4Ah

Dimensions (±2mm)

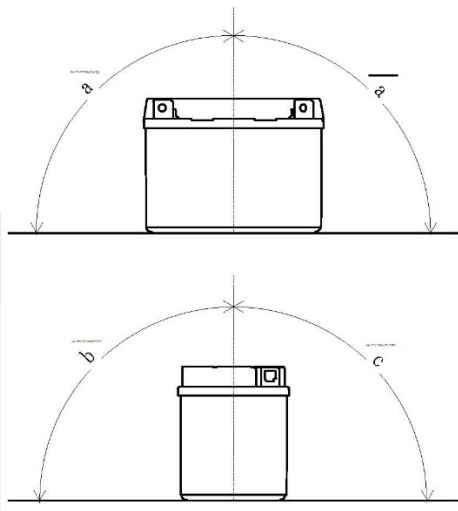
Length	126mm
Width	48mm
Height	126mm

Weights & Measures

Mean Weight with Acid	1.7kg
Acid Volume	0.3l

Mounting Angle

Angle A	Vertical only
Angle B	Vertical only
Angle C	Vertical only



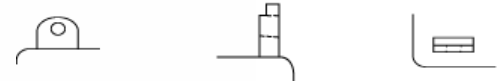
Technology

Technology Cast Sb/Ca

Cell Assembly Layout



Terminal Type - 6



Data Sheet generated on 12/12/2016 - E&OE